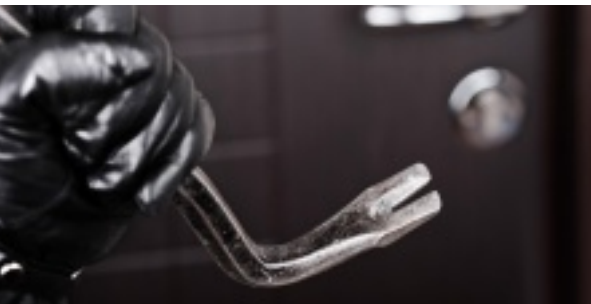




BURGLARY RESISTANT
COMPACT SAFE FOR
YOUR HOME OR OFFICE



CUBE

BURGLARY PROTECTION FOR YOUR VALUABLES

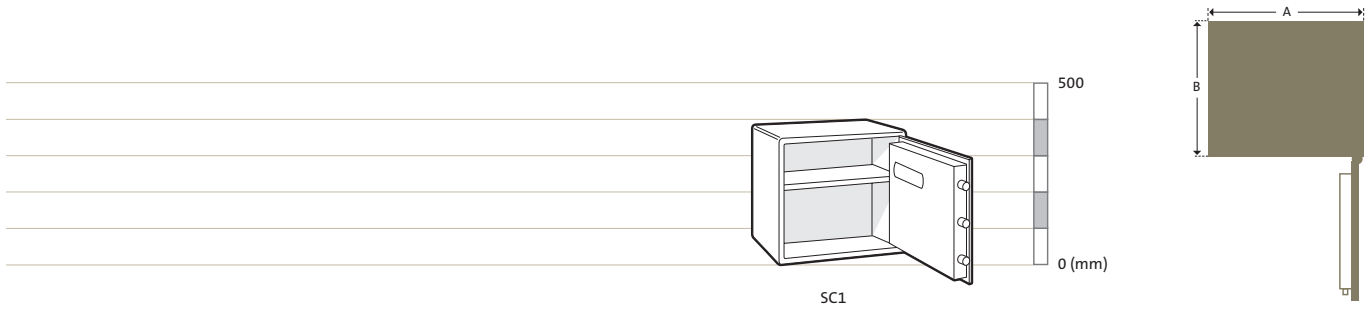


KEY FEATURES

- Burglary protection for around your home or office
- \$5,000 cash rating
- Low weight barrier material that optimise cost, transport and installation
- Body and door are made from 12mm solid steel
- Digital electronic lock
- Backup battery pack provided and over-ride key
- Fixed shelf included providing organised storage

CUBE

PRODUCT SPECIFICATIONS



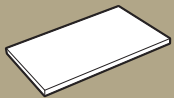
Model	External Height (mm)	External Width (mm)	External Depth (mm)	Internal Height (mm)	Internal Width (mm)	Internal Depth (mm)	Volume (litres)	Weight (kg)	Standard Internal Fittings
SC1	355	355	355	330	330	290	32	75	1 shelf

* Dimensions exclude handle and hinge projections

CONSTRUCTION

DOOR & BODY

The door and body is constructed from 12mm solid steel. The whole assembly is powder-coated for long-lasting protection.

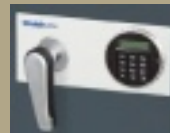


INTERIOR FITTINGS

SHELF

Fixed shelf included providing organised storage.

LOCKS



ELECTRONIC LOCK

Cube electronic lock safes are fitted with a programmable lock incorporating patented technology which can accept a code between 4 and 8 digits. Once programmed, should three consecutive attempts to enter an incorrect code be made, the lock will go into sleep mode for 20 seconds. Three further consecutive incorrect attempts will result in a five-minute time out. Backup battery pack provided and over-ride key.

Authorised Dealer



T: 1300 764 971
E: sales@safeguardsafes.com.au
W: www.safeguardsafes.com.au

MARKETED BY GUNNEBO®

Chubbsafes
Trusted the world over.